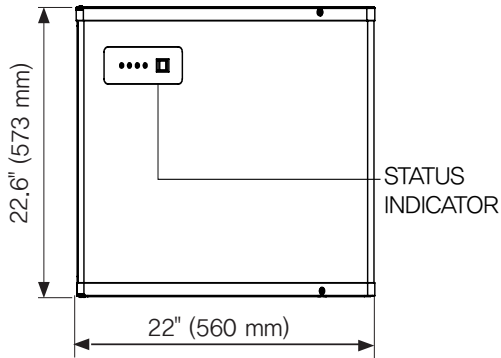
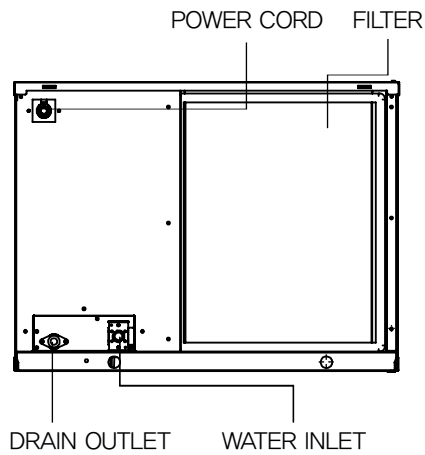


**Line Drawings for the following Icetro Air-Cooled Modular Models:
IM-0350-AC/H-22, IM-460-AC/H-22, IM-0550-AC/H-22**

FRONT



REAR



LEFT SIDE

